

# INSTALLATION INSTRUCTIONS FOR INSTALLING A SCAVENGER BRACKET REPLACEMENT KIT IN A NATIONAL VENDORS<sup>®</sup>, CROWN SEVENTY TWO<sup>®</sup>, 140 OR 141 SHOWCASE MERCHANDISER

These instructions cover the procedure for installing a Scavenger Bracket Replacement Kit in a Crown Seventy Two, 140 or 141 Showcase Merchandiser.

Read these instructions carefully and thoroughly before installing the Kit. Retain these instructions for part number and installation information.

Kit, Part Number 141-2073, contains the following parts:

Part Number	Description	Quantity
141-2071	Scavenger Bracket	1
141-2072	Shoulder Bearing	1
140-2104	Scavenger Shaft	1
141-2074	Installation Instructions	1
	* * *	

## TO INSTALL THE KIT

### NOTE

*Retain the hardware removed during the PARTS REMOVAL section of these instructions. The hardware will be reused during the INSTALLATION OF THE KIT section.*

### A. PARTS REMOVAL

1. Unlock and open the Cabinet Door.
2. Remove three Screws, two Cup Spacers and the Coin Chute from the Cabinet Door. See Figure 1.
3. Remove two Screws, two Cup Spacers and the Scavenger Bracket Assembly from the Cabinet Door. See Figure 1.
4. Remove the Scavenger Lever from the Scavenger Shaft on the Cabinet Door. See Figure 1.
5. Remove the Cotter Pin and the Scavenger Shaft from the Cabinet Door. See Figure 1.
6. Remove the Lockout Bar Spring from the Scavenger Bracket Assembly. See Figure 2.
7. Remove the Screw, Spacer and Scavenger Link from the Scavenger Bracket Assembly. See Figure 2.

8. Remove the No.8-32 x 5/16 Round Head Thread Cutting Screw from the Scavenger Bracket. See Figure 2.

### B. INSTALLATION OF THE KIT

1. Install the No.8-32 x 5/16 Round Head Thread Cutting Screw, removed in Step A-8, in the hole in the replacement Scavenger Bracket, Part Number 141-2071, included in the Kit. See Figure 2.
2. Attach the Scavenger Link, removed in Step A-7, to the replacement Scavenger Bracket using the Screw and Spacer also removed in Step A-7. See Figure 2.
3. Attach the Lockout Bar Spring, removed in Step A-6, to the hole in the Scavenger Link and the hole in the Scavenger Bracket. See Figure 2.
4. Install the replacement Scavenger Shaft, Part Number 140-2104, included in the Kit, on the Cabinet Door by fitting the Scavenger Shaft in the Coin Return Knob. Secure with the Cotter Pin removed in Step A-5. See Figure 3.
5. Position the Scavenger Lever, removed in Step A-4, on the Scavenger Shaft as shown in Figure 3.
6. Place the Shoulder Bearing, Part Number 141-2072, included in the Kit, on the end of the Scavenger Shaft. See Figure 3.
7. Attach the Scavenger Bracket Assembly to the Cabinet Door using the two Cup Spacers and two Screws removed in Step A-3. Be sure the arm on the Scavenger Lever fits between the stop Screw on the Scavenger Bracket and the Scavenger Link. See Figure 3.
8. Attach the Coin Chute, removed in Step A-2, to the Cabinet Door, using the two Cup Spacers and three Screws also removed in Step A-2. See Figure 3.
9. Close and lock the Cabinet Door.
10. Test the Coin Return Knob.

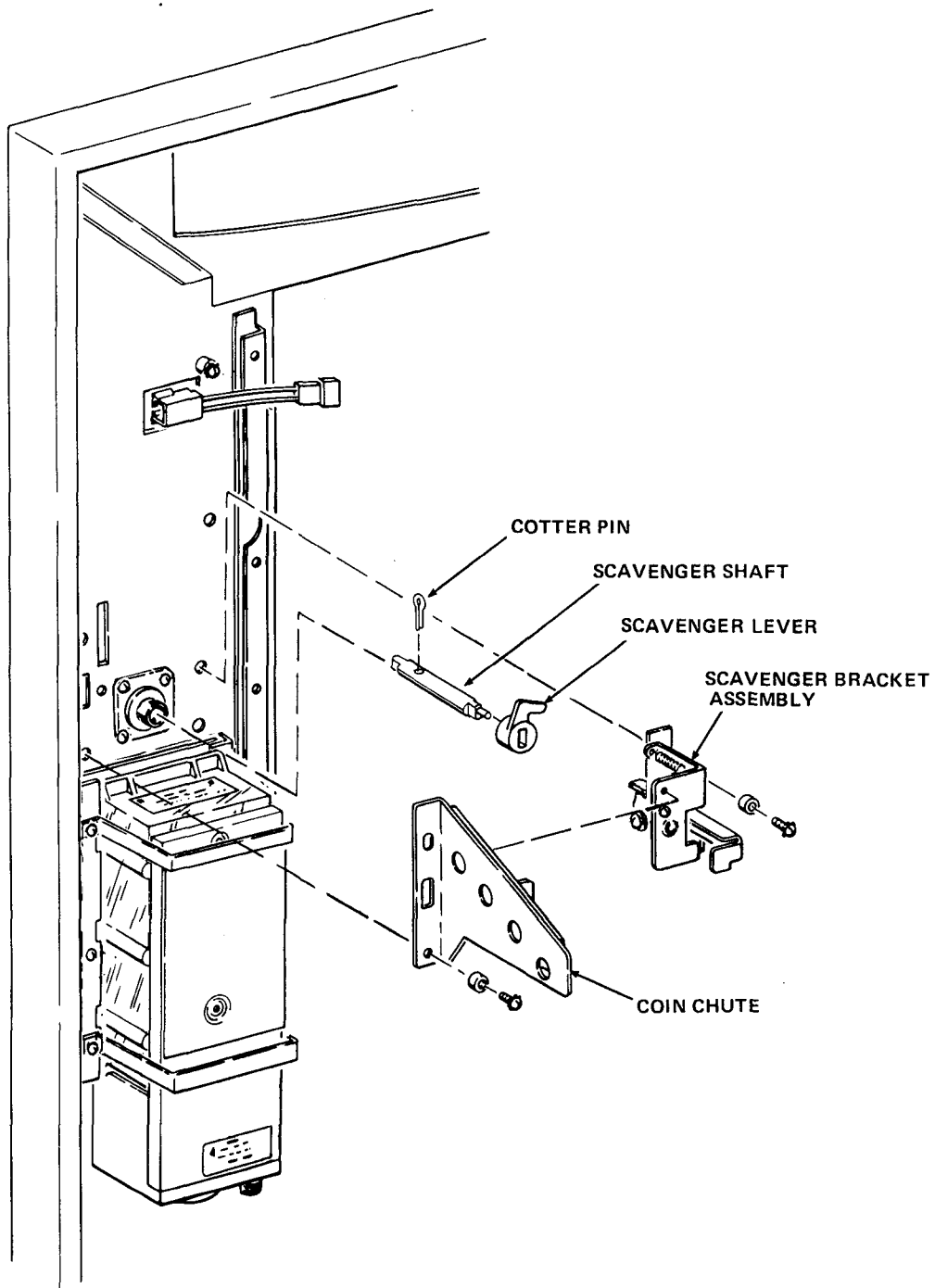


FIGURE 1

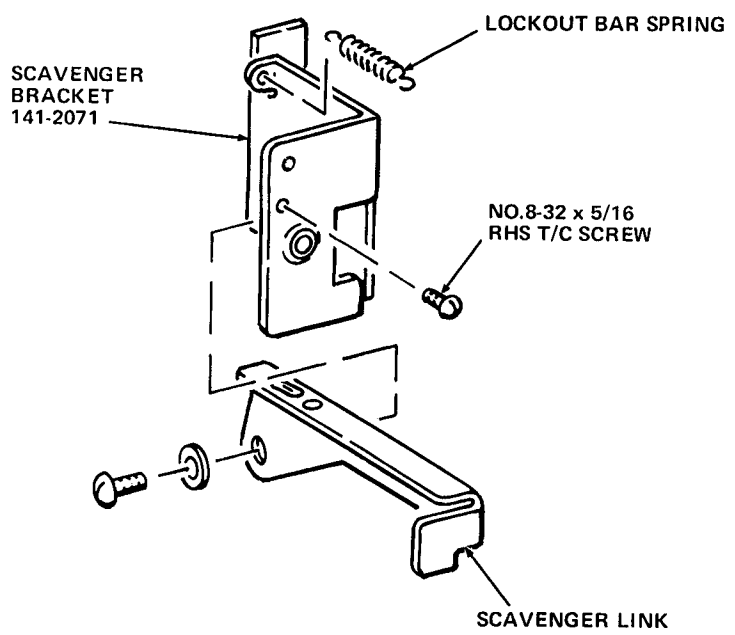


FIGURE 2

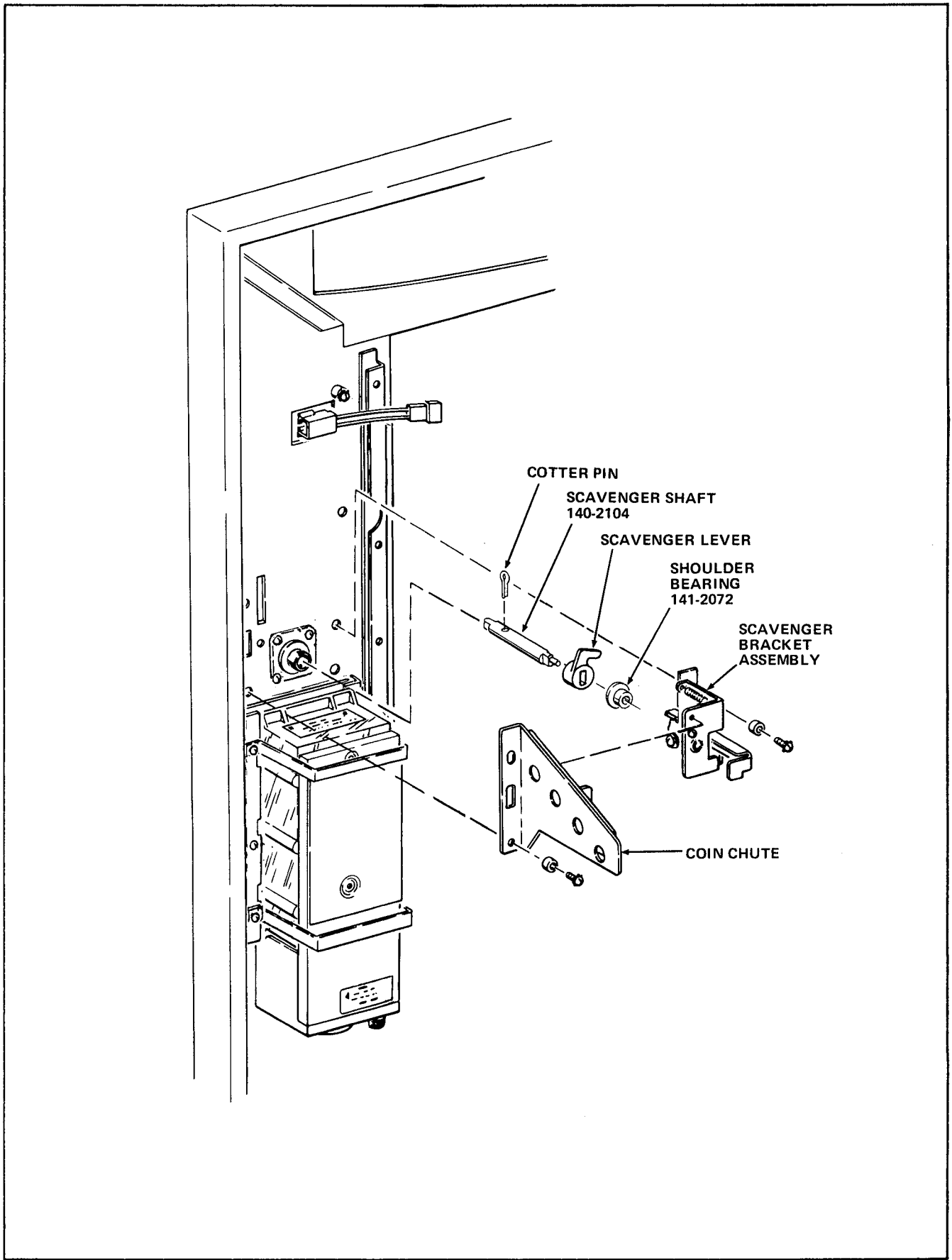


FIGURE 3